

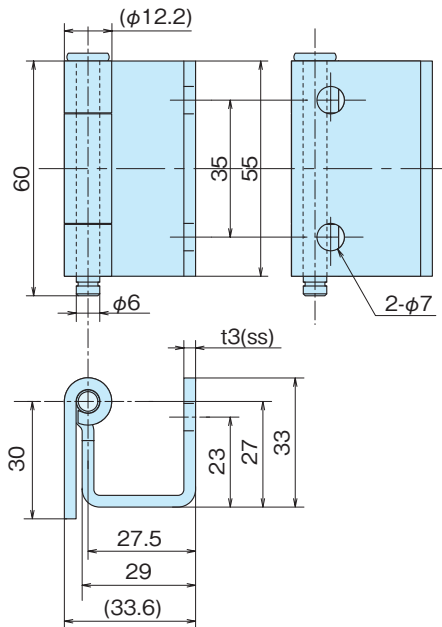
落とし込み蝶番

CONCEALED HINGES

A-80-7(ss)・SA-80-7(SUS)

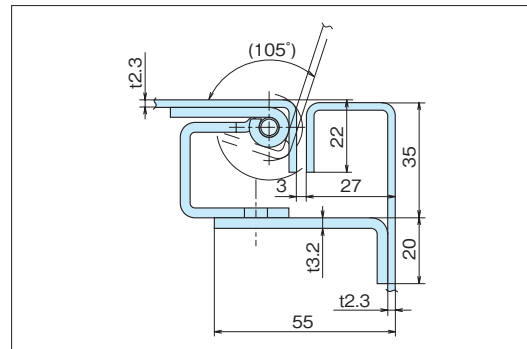


A-80-7



- 材質** ● A-80-7/鉄 (SPHC) 3t
● SA-80-7/ステンレス (SUS304) 3t
- 表面処理** ● A-80-7/生地と三価クロメートめっき付の両方あります。
- 用途** ● 配電盤・分電盤・制御盤・その他各種BOX
- Material** ● A-80-7/Hot rolled steel plate (SPHC) 3t
● SA-80-7/Stainless steel plate (SUS304) 3t
- Finish** ● A-80-7/Plain or trivalent chromate plating type.
- Specific Use** ● Distribution, control boards, all kinds of panels.

■参考取付例 Example of installing reference

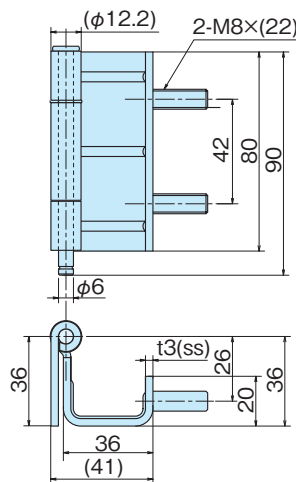


品番 Product No.	備考 Reight	自重(g) Weight	入数 Lot	単価 Price
A-80-7-1	生地	165	30	¥380
A-80-7-2	めっき付き	165	30	¥400
SA-80-7		169	30	¥800

A-80-8(ss)・SA-80-8(SUS)

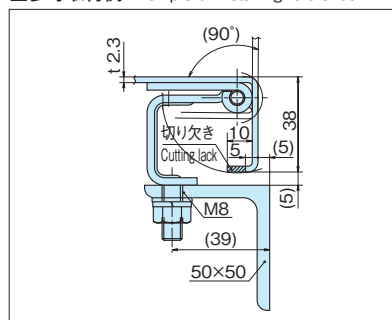


A-80-8

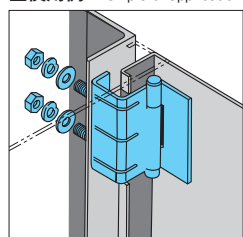


- 特徴** ●ビス付きで、取付けが簡単です。
Feature ● The screws are set and it's easy to install.
- 材質** ● A-80-8/鉄 (SPHC) 3t
● SA-80-8/ステンレス (SUS304) 3t
- 表面処理** ● A-80-8/三価クロメートめっき
- 用途** ● 配電盤・分電盤・制御盤・その他各種BOX
- 備考** ● Eワッシャー・平ワッシャー付
- Material** ● A-80-8/Hot rolled steel plate (SPHC) 3t
● SA-80-8/Stainless steel plate (SUS304) 3t
- Finish** ● A-80-8/Trivalent chromate plating
- Specific Use** ● Distribution, control boards, all kinds of panels.
- Remarks** ● E-shaped washer・Flat washer is included.

■参考取付例 Example of installing reference



■使用例 Example of application



品番 Product No.	自重(g) Weight	入数 Lot	単価 Price
A-80-8	272	10	¥600
SA-80-8	274	10	¥1,800