

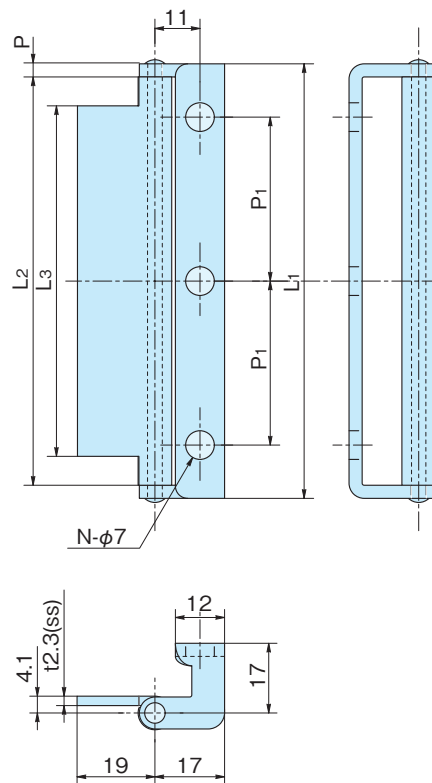
## 万能蝶番

ALL-ROUND HINGES

A-80-5(ss)



A-80-5-1

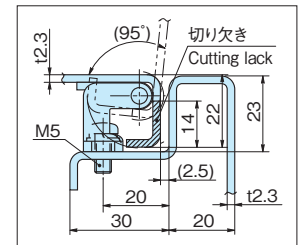


材質 ●A-80-5/鉄(SPCC) 2.3t  
用途 ●配電盤・分電盤・制御盤・その他各種BOX

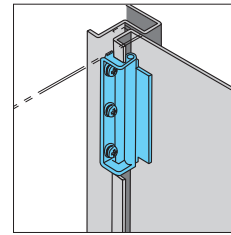
Material ●A-80-5/Cold rolled steel plate (SPCC) 2.3t

Specific Use ●Distribution, control boards, all kinds of panels.

■参考取付例 Example of installing reference



■使用例 Example of application



品番 Product No.	L1	L2	L3	P	P1	N
A-80-5-1	106	100	84.4	3.2	40	3
A-80-5-2	54.5	50	34.5	2.3	30	2

品番 Product No.	自重(g) Weight	入数 Lot	単価 Price
A-80-5-1	99	25	¥300
A-80-5-2	45	50	¥220

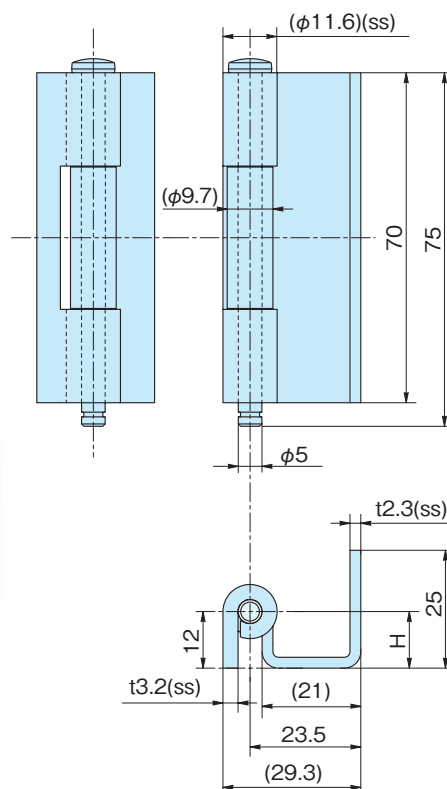
## 落とし込み蝶番

CONCEALED HINGES

A-80-6/13(ss)・SA-80-6/13(SUS)



A-80-6



特徴 ●ピンが抜き差しでき取付けが簡単です。

Feature ●It's slip-joint type and simple to install on the panel.

材質 ●A-80-6・A-80-13/鉄(SS)羽根3.2t、ヒンジ2.3t  
●SA-80-6・A-80-13/ステンレス(SUS304)羽根3t、ヒンジ2t

表面処理 ●A-80-6・A-80-13/ピンのみ三価クロメートめっき  
用途 ●配電盤・分電盤・制御盤・その他各種BOX

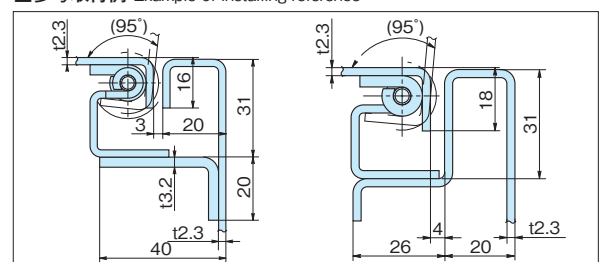
Material ●A-80-6・A-80-13/Rolled steel (SS) Wing3.2t Main unit2.3t

●SA-80-6・A-80-13/Stainless steel plate (SUS304) Wing3t Main unit2t

Finish ●A-80-6・A-80-13/Zinc chromate plating (Pin only)

Specific Use ●Distribution, control boards, all kinds of panels.

■参考取付例 Example of installing reference



A-80-6-SA-80-6 A-80-13-SA-80-13

品番 Product No.		H	自重(g) Weight		入数 Lot	単価 Price	
SS	SUS		SS	SUS		SS	SUS
A-80-6	SA-80-6	12	120	108	50	¥300	¥550
A-80-13	SA-80-13	14.5				¥250	¥550

SA-80-6