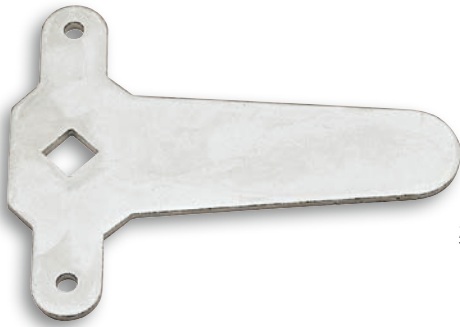


止め金

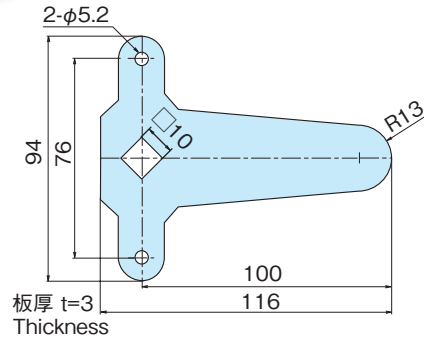
STOPPER PLATES



C-40-1(ss)・SC-40-1(SUS)



C-40-1



材質 ●C-40-1/鉄(SPHC)3t
●SC-40-1/ステンレス(SUS304)3t

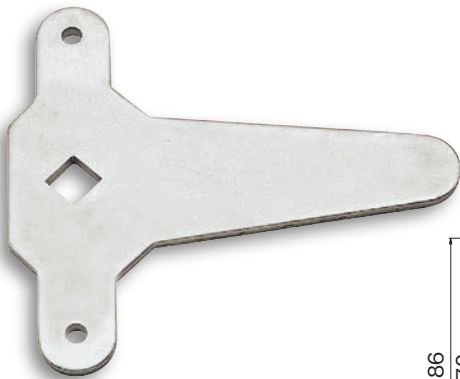
表面処理 ●C-40-1/クロメートめっき

Material ●C-40-1/Hot rolled steel plate (SPHC)3t
●SC-40-1/Stainless steel plate (SUS304)3t

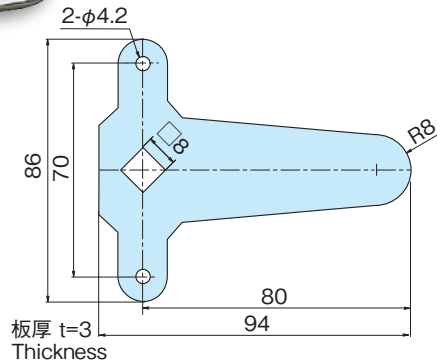
Finish ●C-40-1/Chromate plating

品番 Product No.	自重(g) Weight	入数 Lot	単価 Price
C-40-1	105	50	¥200
SC-40-1	102	50	¥400

C-40-2(ss)・SC-40-2(SUS)



C-40-2



材質 ●C-40-2/鉄(SPHC)3t
●SC-40-2/ステンレス(SUS304)3t

表面処理 ●C-40-2/クロメートめっき

Material ●C-40-2/Hot rolled steel plate (SPHC)3t
●SC-40-2/Stainless steel plate (SUS304)3t

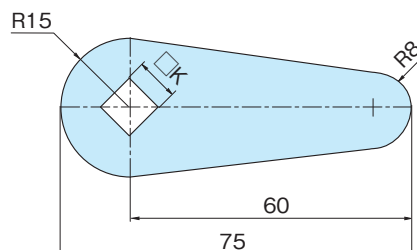
Finish ●C-40-2/Chromate plating

品番 Product No.	自重(g) Weight	入数 Lot	単価 Price
C-40-2	76	50	¥190
SC-40-2	72	50	¥330

C-41(ss)・SC-41(SUS)



SC-41-1



材質 ●C-41/鉄(SPCC)2.3t
●SC-41/ステンレス(SUS304)2t

表面処理 ●C-41/クロメートめっき

Material ●C-41/Cold rolled steel plate (SPCC)2.3t
●SC-41/Stainless steel plate (SUS304)2t

Finish ●C-41/Chromate plating

品番 Product No.		製品自重(g) Weight	入数 Lot	単価 Price			
SS	SUS			SS	SUS		
C-41-1	SC-41-1	10	27.3	23.3	100	¥90	¥130
C-41-2	SC-41-2	8	26.9	24.2	100	¥90	¥130