

## グリップボルト

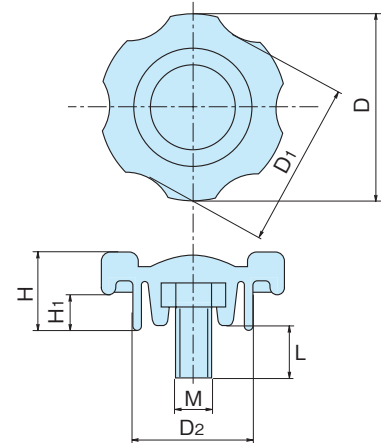
GRIP BOLTS

KP-12(ss)



材質 ●頭部/ABS樹脂  
●ネジ部/鋼 (SWRM)  
表面処理 ●三価クロメート  
用途 ●各種機械・電気機器・医療機器・電動工具・事務用機器等

Material ●Head/ABS resin  
●Screw/Soft steel wire (SWRM)  
Finish ●Trivalent chromate plating  
Specific Use ●Various machines, electrical equipments, medical equipments, electric tools, office equipments, etc.



品番 Product No.	D	D <sub>1</sub>	H	H <sub>1</sub>	D <sub>2</sub>	M	L	自重(g) Weight	単価 Price
KP-12-G1-510	35	31.5	15	5	24	5	10	11.1	¥135
KP-12-G1-515	35	31.5	15	5	24	5	15	11.8	¥140
KP-12-G1-520	35	31.5	15	5	24	5	20	12.3	¥140
KP-12-G1-525	35	31.5	15	5	24	5	25	12.8	¥155
KP-12-G1-530	35	31.5	15	5	24	5	30	13.5	¥160
KP-12-G1-535	35	31.5	15	5	24	5	35	14.0	¥165
KP-12-G1-540	35	31.5	15	5	24	5	40	14.9	¥200
KP-12-G1-545	35	31.5	15	5	24	5	45	15.4	¥205
KP-12-G1-550	35	31.5	15	5	24	5	50	15.8	¥300
KP-12-G1-610	35	31.5	15	5	24	6	10	12.7	¥135
KP-12-G1-615	35	31.5	15	5	24	6	15	13.6	¥135
KP-12-G1-620	35	31.5	15	5	24	6	20	14.5	¥140
KP-12-G1-625	35	31.5	15	5	24	6	25	15.3	¥155
KP-12-G1-630	35	31.5	15	5	24	6	30	16.3	¥160
KP-12-G1-635	35	31.5	15	5	24	6	35	17.2	¥165
KP-12-G1-640	35	31.5	15	5	24	6	40	17.8	¥200
KP-12-G1-645	35	31.5	15	5	24	6	45	18.8	¥205
KP-12-G1-650	35	31.5	15	5	24	6	50	19.7	¥225
KP-12-G2-610	42	37.5	17	7	26	6	10	16.0	¥155
KP-12-G2-615	42	37.5	17	7	26	6	15	16.9	¥155
KP-12-G2-620	42	37.5	17	7	26	6	20	17.8	¥160
KP-12-G2-625	42	37.5	17	7	26	6	25	18.6	¥175
KP-12-G2-630	42	37.5	17	7	26	6	30	19.6	¥180
KP-12-G2-635	42	37.5	17	7	26	6	35	20.5	¥185
KP-12-G2-640	42	37.5	17	7	26	6	40	21.1	¥220
KP-12-G2-645	42	37.5	17	7	26	6	45	22.1	¥230
KP-12-G2-650	42	37.5	17	7	26	6	50	23.0	¥245
KP-12-G2-810	42	37.5	17	7	26	8	10	21.1	¥185
KP-12-G2-815	42	37.5	17	7	26	8	15	22.7	¥185
KP-12-G2-820	42	37.5	17	7	26	8	20	24.1	¥190
KP-12-G2-825	42	37.5	17	7	26	8	25	25.7	¥210
KP-12-G2-830	42	37.5	17	7	26	8	30	27.4	¥220
KP-12-G2-835	42	37.5	17	7	26	8	35	28.9	¥225
KP-12-G2-840	42	37.5	17	7	26	8	40	30.6	¥275
KP-12-G2-845	42	37.5	17	7	26	8	45	32.2	¥280
KP-12-G2-850	42	37.5	17	7	26	8	50	33.5	¥305

品番 Product No.	D	D <sub>1</sub>	H	H <sub>1</sub>	D <sub>2</sub>	M	L	自重(g) Weight	単価 Price
KP-12-G3-810	45	40.5	18	8	30	8	10	24.4	¥200
KP-12-G3-815	45	40.5	18	8	30	8	15	26.0	¥200
KP-12-G3-820	45	40.5	18	8	30	8	20	27.4	¥210
KP-12-G3-825	45	40.5	18	8	30	8	25	29.0	¥230
KP-12-G3-830	45	40.5	18	8	30	8	30	30.7	¥235
KP-12-G3-835	45	40.5	18	8	30	8	35	32.2	¥240
KP-12-G3-840	45	40.5	18	8	30	8	40	33.9	¥290
KP-12-G3-845	45	40.5	18	8	30	8	45	35.5	¥295
KP-12-G3-850	45	40.5	18	8	30	8	50	36.8	¥325
KP-12-G3-1010	45	40.5	18	8	30	10	10	33.7	¥255
KP-12-G3-1015	45	40.5	18	8	30	10	15	35.6	¥255
KP-12-G3-1020	45	40.5	18	8	30	10	20	38.2	¥265
KP-12-G3-1025	45	40.5	18	8	30	10	25	40.3	¥295
KP-12-G3-1030	45	40.5	18	8	30	10	30	42.9	¥310
KP-12-G3-1035	45	40.5	18	8	30	10	35	45.4	¥320
KP-12-G3-1040	45	40.5	18	8	30	10	40	48.1	¥395
KP-12-G3-1045	45	40.5	18	8	30	10	45	50.3	¥405
KP-12-G3-1050	45	40.5	18	8	30	10	50	53.0	¥440
KP-12-G4-1010	50	44.5	20	9	33	10	10	39.8	¥270
KP-12-G4-1015	50	44.5	20	9	33	10	15	41.7	¥270
KP-12-G4-1020	50	44.5	20	9	33	10	20	44.3	¥285
KP-12-G4-1025	50	44.5	20	9	33	10	25	46.4	¥315
KP-12-G4-1030	50	44.5	20	9	33	10	30	49.0	¥325
KP-12-G4-1035	50	44.5	20	9	33	10	35	51.5	¥340
KP-12-G4-1040	50	44.5	20	9	33	10	40	54.2	¥415
KP-12-G4-1045	50	44.5	20	9	33	10	45	56.4	¥430
KP-12-G4-1050	50	44.5	20	9	33	10	50	59.1	¥460
KP-12-G4-1210	50	44.5	20	9	33	12	10	47.8	¥370
KP-12-G4-1215	50	44.5	20	9	33	12	15	51.6	¥340
KP-12-G4-1220	50	44.5	20	9	33	12	20	55.1	¥340
KP-12-G4-1225	50	44.5	20	9	33	12	25	59.2	¥375
KP-12-G4-1230	50	44.5	20	9	33	12	30	61.4	¥395
KP-12-G4-1235	50	44.5	20	9	33	12	35	65.8	¥415
KP-12-G4-1240	50	44.5	20	9	33	12	40	68.5	¥505
KP-12-G4-1245	50	44.5	20	9	33	12	45	72.4	¥530
KP-12-G4-1250	50	44.5	20	9	33	12	50	76.2	¥565